

VICTORIA BATTERY

PRODUCT MANUAL





BRIEF INTRODUCTION

JUXING POWER SUPPLY is a large-scale manufacturing enterprise devoted to manufacturing lead-acid battery for automobile and electric bicycle. We have more than 70,000 square meters of land and 5600 square meters of building area. The productivity of the company is over 3 million KVAH. With a view on the prospective development of automobile industry.



In current, our company does not only set a completed network of sales and service in domestic market, but also becomes one of the major suppliers for the famous automobile enterprises such as DongFeng, Foton, Shanxi Car, Geely and Gonow. Meanwhile, we are still exploiting foreign markets. We have set up sales channels in the regions of Middle East, Asia, Europe, and ect. Our company has achieved autonomy in management of import and export with certifications of ISO9001, ISO/TS16949 and CE.

We have a people-oriented management philosophy of contemporary enterprise, while we are so quality-oriented that we pursue the top-grade product. We will set foot in the field of lead-acid battery, to make the company stronger, bigger, more professional, and more intensive. We endeavor to provide customers from home and abroad with better, higher, more perfect products and service by the courage to be sincere, advance bravely, and strive to get the upper hand. Wish us work hand in hand and cooperate in a win-win method to build the new splendor.

SEALED MAINTENANCE FREE BATTERY (DIN)

DIN GR.NO.	CATALOGUE NO.	ETN NO.	CAPACITY (2HR)	CCA (EN)	CCA (DIN)	DIMENSION(MM)				LAYOUT	TERMINAL	HOLD-DOWN
						L	W	H	TH			
LB1	MF53646	536 046 030	36	300	180	207	174	175	175	0	A	B13
	MF54321	543 021 033	43	330	200	207	174	175	175	0	A	B13
L1	MF54017	540 017 033	40	330	200	207	174	190	190	0	A	B13
	MF54434	544 034 038	44	380	225	207	174	190	190	0	A	B13
	MF54459	544 059 038	44	380	225	207	174	190	190	0	A	B13
	MF54464	544 064 038	44	380	225	207	174	190	190	1	A	B13
LB2	MF54519	545 019 033	45	330	200	241	175	175	175	0	A	B13
	MF55046	550 046 040	50	400	240	241	175	175	175	0	A	B13
	MF55457	554 057 045	54	450	265	241	175	175	175	0	A	B13
	MF55427	554 027 045	54	450	265	241	175	175	175	0	4F	B13
	MF55459	554 059 045	54	450	265	241	175	175	175	1	A	B13
	MF55429	554 029 045	54	450	265	241	175	175	175	1	4F	B13
	MF56077	560 077 048	60	480	280	241	175	175	175	0	A	B13
L2	MF55559	555 059 045	55	450	265	241	175	189	189	0	A	B13
	MF55565	555 065 045	55	450	265	241	175	189	189	1	A	B13
	MF56019	560 019 048	60	480	280	241	175	189	189	0	A	B13
	MF56020	560 020 048	60	480	280	241	175	189	189	1	A	B13
	MF56219	562 019 051	62	510	300	341	175	189	189	0	A	B13
	MF56221	562 021 051	62	510	300	341	175	189	189	0	4F	B13
LB3	MF55415	554 015 045	54	450	265	280	173	172	172	0	A	B13
	MF56318	563 018 052	63	520	310	280	173	172	172	0	A	B13
	MF56420	564 020 052	64	520	310	280	173	172	172	0	A	B13
	MF56821	568 021 055	68	550	330	280	173	172	172	1	A	B13
	MF57113	571 013 058	71	580	350	280	173	172	172	0	A	B13
	MF57117	571 017 060	71	600	360	280	173	172	172	0	A	B13
L3	MF56618	566 018 054	66	540	320	278	174	189	189	0	A	B13
	MF56619	566 019 054	66	540	320	278	174	189	189	1	A	B13
	MF56638	566 038 054	66	540	320	278	174	189	189	0	A	B13
	MF56633	566 033 054	66	540	320	278	174	189	189	1	A	B13
	MF57069	570 069 060	70	600	360	278	174	189	189	0	A	B13
	MF57218	572 018 064	72	640	360	278	174	189	189	0	A	B13
	MF57219	572 019 064	72	640	380	278	174	189	189	1	A	B13
	MF57220	572 020 064	72	640	380	278	174	189	189	0	A	B13
MF57413	574 013 068	74	680	400	278	174	189	189	1	A	B13	
L4	MF58043	580 043 064	80	640	380	312	173	190	190	0	A	B13
LB5	MF58515	585 015 072	85	720	430	352	174	175	175	0	A	B13
L5	MF58821	588 021 068	88	680	400	352	174	189	189	1	A	B13
	MF58827	588 027 068	88	680	400	352	174	189	189	0	A	B13
	MF59218	592 018 072	92	720	430	352	174	189	189	0	A	B13
	MF60038	600 038 076	100	760	460	352	174	189	189	0	A	B13
	MF60044	600 044 076	100	760	460	352	174	189	189	0	A	B13
D4	MF61017	610 017 085	110	850	510	508	185	194	216	3	A	--
	MF62034	620 034 090	120	900	540	508	185	194	216	3	A	--
	MF63530	635 030 085	135	850	510	508	185	194	216	3	A	--
D5	MF64317	643 017 085	143	850	510	508	215	194	216	3	A	--
	MF65017	650 017 090	150	900	540	508	215	194	216	3	A	--
	MF66514	665 014 095	165	950	570	508	215	194	216	3	A	--
	MF68034	680 034 100	180	1000	600	508	215	194	216	3	A	--

B14 available with adaptor on the long sides

SEALED MAINTENANCE FREE BATTERY (JIS)

JIS GR.NO.	OLD JIS NO.	CATALOGUE NO.	CAPACITY		CCA (BCI)	CCA (MIN)	DIMENSION(MM)				LAYOUT	TERMINAL	HOLD-DOWN
			(2HR)	(5HR)			L	W	H	TH			
B20	NS40ZL	MF36B20L	35	28	330	52	194	126	200	221	0	B	-
	NS40Z	MF36B20R	35	28	330	52	194	126	200	221	1	B	-
	NT60-S4L	MF38B20L	35	28	330	52	194	126	200	221	0	B	-
	NT60-S4R	MF38B20R	35	28	330	52	194	126	200	221	1	B	-
	NS40ZL	MF36B20L	35	28	330	52	193	135	202	223	0	B	B4
	NS40Z	MF36B20R	35	28	330	52	193	135	202	223	1	B	B4
C24	N40L	MF32C24L	40	32	370	60	236	128	200	221	0	B	-
	N40	MF32C24R	40	32	370	60	236	128	200	221	1	B	-
B24	NS60L	MF46B24L	45	36	350	71	236	128	200	221	0	B	-
	NS60	MF46B24R	45	36	350	71	236	128	200	221	1	B	-
	NT80-S6L	MF50B24L	45	36	400	71	236	128	200	221	0	B	-
	NT80-S6R	MF50B24R	45	36	400	71	236	128	200	221	1	B	-
	NX100-S6L	MF55B24L	45	36	430	79	236	128	200	221	0	B	-
	NX100-S6R	MF55B24R	45	36	430	79	236	128	200	221	1	B	-
	NX100-S6LS	MF55B24LS	45	36	430	79	236	128	200	221	0	A	-
	NX100-S6RS	MF55B24RS	45	36	430	79	236	128	200	221	1	A	-
D23	/	MF55D23L	60	48	500	100	225	172	201	222	0	A	B8
	/	MF55D23R	60	48	500	100	225	172	201	222	1	A	B8
	/	MF65D23L	65	52	580	110	225	172	201	222	0	A	B8
	/	MF65D23R	65	52	580	110	225	172	201	222	1	A	B8
	/	MF75D23L	65	52	600	110	225	172	201	222	0	A	B8
	/	MF75D23R	65	52	600	110	225	172	201	222	1	A	B8
D26	N50	MF48D26L	50	40	450	81	256	176	193	214	0	A	B4
	N50L	MF48D26R	50	40	450	81	256	176	193	214	1	A	B4
	N50ZL	MF55D26L	60	40	500	101	256	176	193	214	0	A	B4
	N50Z	MF55D26R	60	48	500	101	256	176	193	214	1	A	B4
	NS70L	MF65D26L	65	52	550	113	256	176	193	214	0	A	B4
	NS70	MF65D26R	65	52	550	113	256	176	193	214	1	A	B4
	/	MF75D26L	65	52	580	123	256	176	193	214	0	A	B4
	/	MF75D26R	65	52	580	123	256	176	193	214	1	A	B4
	NX110-5L	MF80D26L	70	55	580	133	256	176	193	214	0	A	B4
	NX110-5	MF80D26R	70	55	580	133	256	176	193	214	1	A	B4
D31	N70L	MF65D31L	70	56	600	120	300	172	200	221	0	A	B1
	N70	MF65D31R	70	56	600	120	300	172	200	221	1	A	B1
	N70ZL	MF75D31L	75	60	640	130	300	172	200	221	0	A	B1
	N70Z	MF75D31R	75	60	640	130	300	172	200	221	1	A	B1
	NX120-7L	MF95D31L	80	64	680	140	300	172	200	221	0	A	B1
	NX120-7	MF95D31R	80	64	680	140	300	172	200	221	1	A	B1
E41	N100L	MF95E41L	100	80	640	182	408	170	207	228	0	A	-
	N100	MF95E41R	100	80	640	182	408	170	207	228	1	A	-
	N100ZL	MF105E41L	105	83	680	192	408	170	207	228	0	A	-
	N100Z	MF105E41R	105	83	680	192	408	170	207	228	1	A	-
	NS120L	MF115E41L	110	88	720	212	408	170	207	228	0	A	-
	NS120	MF115E41R	110	88	720	212	408	170	207	228	1	A	-
F51	N120	MF115F51	120	96	640	228	504	180	211	233	4	A	-
	N135	MF150F51	135	108	916	270	504	180	211	233	4	A	-
G51	N150	MF145G51	150	120	850	294	507	220	213	235	4	A	-
	N170	MF165G51	170	136	950	343	507	220	213	235	4	A	-
	N180	MF195G51	180	144	1150	362	507	220	213	235	4	A	-
H52	N200	MF190H52	200	160	1100	421	512	265	216	240	4	A	-
	N200	MF245H52	220	176	1400	460	512	265	216	240	4	A	-
	N230	MF250H52	230	184	1500	480	512	265	216	240	4	A	-

MAINTENANCE FREE SERIES-BCI

BCI GR.NO.	CATALOGUE NO.	CCA (BCI)	CCA (MIN)	DIMENSION(MM)				LAYOUT	TERMINAL	HOLD-DOWN
				L	W	H	TH			
21	MF21-450	450	80	200	172	200	220	10	A	B1
21R	MF21R-450	450	80	200	172	200	220	11	A	B1
24	MF24-450	450	80	256	176	193	214	10	A	B1
	MF24-500	500	90	256	176	193	214	10	A	B1
	MF24-550	550	100	256	176	193	214	10	A	B1
	MF24-600	600	113	256	176	193	214	10	A	B1
24R	MF24-630	630	125	256	176	193	214	10	A	B1
	MF24R-450	450	80	256	176	193	214	11	A	B1
	MF24R-500	500	90	256	176	193	214	11	A	B1
	MF24R-550	550	100	256	176	193	214	11	A	B1
	MF24R-600	600	113	256	176	193	214	11	A	B1
25	MF25-500	500	100	225	172	200	222	10	A	B8
	MF26-450	450	80	208	172	176	197	10	A	B1
26	MF26-550	550	100	208	172	176	197	10	A	B1
	MF26R-450	450	80	208	172	176	197	11	A	B1
26R	MF26R-550	550	100	208	172	176	197	11	A	B1
	MF27-600	600	113	300	172	200	221	10	A	B1
27	MF27-630	630	130	300	172	200	221	10	A	B1
	MF27-670	670	140	300	172	200	221	10	A	B1
	MF27-710	710	140	300	172	200	221	10	A	B1
	MF27-750	750	155	300	172	200	221	10	A	B1
	MF27R-600	600	113	300	172	200	221	11	A	B1
27R	MF27R-630	630	130	300	172	200	221	11	A	B1
	MF27R-670	670	140	300	172	200	221	11	A	B1
	MF27R-710	710	140	300	172	200	221	11	A	B1
	MF27R-750	750	155	300	172	200	221	11	A	B1
	MF31-700	700	160	330	172	218	242	18	M1	-
31	MF31-750	750	170	330	172	218	242	18	M1	-
	MF31-800	800	180	330	172	218	242	18	M1	-
34	MF34-550	550	100	263	175	184	205	10	A	B8
	MF34-600	600	110	263	175	184	205	10	A	B8
	MF34-650	650	115	263	175	184	205	10	A	B8
34R	MF34R-550	550	100	263	175	184	205	11	A	B8
	MF34R-600	600	110	263	175	184	205	11	A	B8
	MF34R-650	680	115	263	175	184	205	11	A	B8
35	MF35-500	500	100	225	172	201	222	11	A	B8
40R	MF40R-500	500	110	280	174	175	175	24	A	B13
	MF40R-550	550	120	280	174	175	175	24	A	B13
41	MF41-525	525	110	284	173	172	172	24	A	B1
42	MF42-450	450	85	241	174	175	175	24	A	B13
	MF42-480	480	95	241	174	175	175	24	A	B13
43	MF43-650	650	120	312	173	190	190	24	A	B13
47	MF47-480	480	80	241	176	190	190	24	A	B13
	MF47-500	500	90	241	176	190	190	24	A	B13
	MF47-550	550	100	241	176	190	190	24	A	B13

ADVANTAGE & HIGHLIGHTS

4

Special sealed cover structure

- Protects from acid leakage
- Minimizes gassing
- Frame arrestor prevents an inflow of outside sparks

5

Integrated computer design and reinforced container

- Flex ribs provide an excellent support to plates for more resistance to vibration

3

Advanced center lug technology and cast on strap

- Guarantees against outside impact and vibration
- Reliable starting power
- Long-lasting service life

Hot melt glue to resist vibration

- Ensures resistance to outside impact and vibration and minimizes loss of active materials

6

Magic eye indicator

- At full charge, the electrolyte specific gravity is 1.280 while at 50% of charge considered the minimum serviceable condition, the specific gravity is typically 1.220 in a typical situation when the specific gravity drops to 1.100, the battery is fully discharged.



2

Enveloped separator for low electric resistance

- Reliable starting power
- Prevents internal short between positive and negative plates

7

Steam treated positive plates

- Ensures resistance to outside impact and vibration and improves life-cycle

1

Wrought expanded Pb-Ca-Sn grid

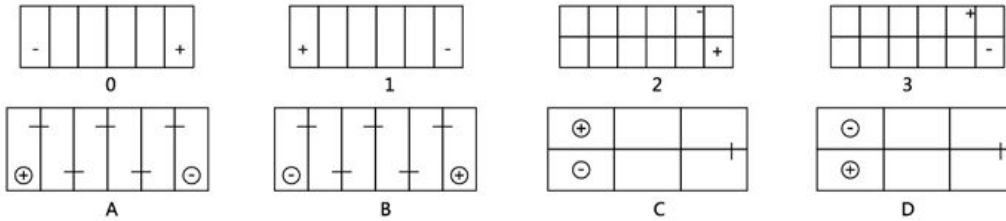
- offer considerable strength
- Resistant to grid strength
- Over-charge resistant
- Minimal gassing and water usage
- Less self-discharge
- Resist thermal runaway

VICTORIA BATTERY

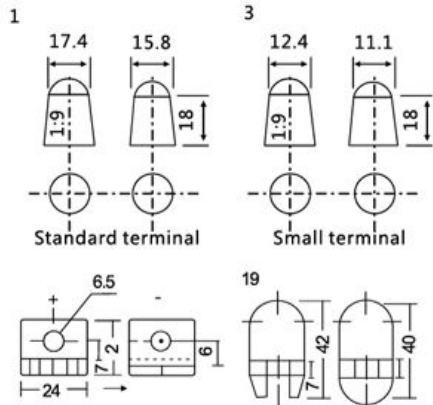
THE BEST POWER SOLUTION FOR YOU

- *OVER 15 YEARS PRODUCTION AND MARKETING EXPERIENCE SUPPLIES YOU RELIABLE QUALITY BATTERIES.
- *THE FULL RANGE OF BATTERIES SERVES JAPANESE, EUROPEAN, AMERICAN AS WELL AS ELECTRIC VEHICLES.
- *BOTH LEAD-ANTIMONY(DRY CHARGED) AND LEAD-CALCIUM(MAINTENANCE FREE) BATTERIES ARE AVAILABLE.
- *SIX MILLION OUTPUTS PER YEAR ENSURES YOU TIMELY DELIVERY.
- *OUR BATTERIES MARKETING IS COVERING OVER 40 COUNTRIES OF THE FIVE CONTINENTS.

Terminal Direction

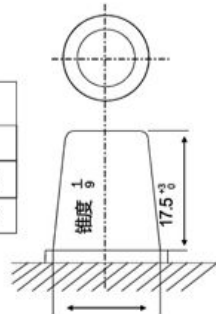


Terminal Form

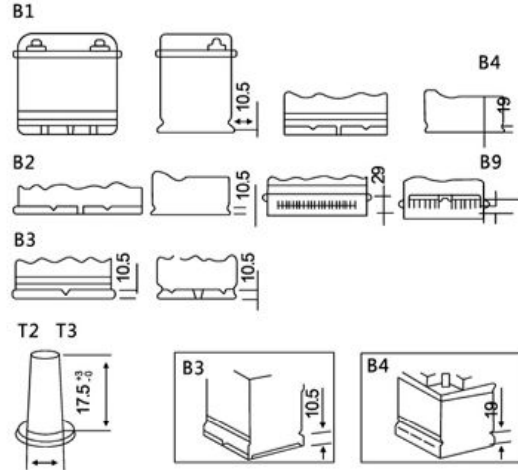


锥形分类T1 T2的尺寸(mm)

锥形分类	D尺寸	
	+极	-极
T1	14.7 ^{+0.3}	13.0 ^{+0.3}
T2	19.5 ^{+0.3}	17.9 ^{+0.3}



Fastening Form



Terminals

